

**Holt Integrated Circuits**  
**Recommended**  
**MIL-STD-1553 Transformers**

**This page intentionally blank**

## Quick Selection Guide

Recommended Part Number	Number of Cores	Core(s) Ratio(s) Ratio (±3%)	Form Factor			
			Lowest Profile	Smallest Footprint	Surface Mount	Thru' Hole
PM-DB2762	Dual	1:2.5		X	X	
PM-DB2766	Dual	1:1.79		X	X	
PM-DB2776	Dual	1:2.5 1:1.79	X		X	
PM-DB2791S	Single	1:2.5	X		X	
PM-DB2795S	Single	1:1.79	X		X	
PM-DB2798S	Single	1:2.5 1:1.79	X		X	
PM-DB27501S	Single	1:2.65 1:2.07	X		X	
PM-DB27503S	Single	1:2.5 1:1.79	X		X	
PM-DB27408	Dual	1:2.5 1:1.79				X
PM-DB2725EX	Single	1:2.5 1:1.79		X		X

## Isolation Transformers – Surface Mount

Operating temperature -55°C to 130°C

### Dual Core, Single Ratio

Part Number	Total Pins	Length inch. (mm)	Width inch. (mm)	Height inch. (mm)	Core(s) Ratio(s) Ratio (±3%)	1 <sup>st</sup> Core Terminals	2 <sup>nd</sup> Core Terminals	Schematic/ Package
PM-DB2762	10	0.4 (10.16)	0.4 (10.16)	0.32 (8.128)	1:2.5	1-2:10-9	4-5:7-6	12/AA
PM-DB2766	10	0.4 (10.16)	0.4 (10.16)	0.32 (8.128)	1:1.79	1-2:10-9	4-5:7-6	12/AA

### Dual Core, Dual Ratio

Part Number	Total Pins	Length inch. (mm)	Width inch. (mm)	Height inch. (mm)	Core(s) Ratio(s) Ratio (±3%)	1 <sup>st</sup> Core Terminals	2 <sup>nd</sup> Core Terminals	Schematic/ Package
PM-DB2776	16	0.675 (17.145)	0.4 (10.16)	0.185 (4.699)	1:2.5 1:1.79	1-3:16-13 1-3:15-14	6-8:12-9 6-8:11-10	15/AC

### Single Core, Single Ratio

Part Number	Total Pins	Length inch. (mm)	Width inch. (mm)	Height inch. (mm)	Core(s) Ratio(s) Ratio (±3%)	1 <sup>st</sup> Core Terminals	2 <sup>nd</sup> Core Terminals	Schematic/ Package
PM-DB2791S	8	0.4 (10.16)	0.4 (10.16)	0.185 (4.699)	1:2.5	1-3:4-8	---	9/V
PM-DB2795S	8	0.4 (10.16)	0.4 (10.16)	0.185 (4.699)	1:1.79	1-3:5-7	---	10/V

### Single Core, Dual Ratio

Part Number	Total Pins	Length inch. (mm)	Width inch. (mm)	Height inch. (mm)	Core(s) Ratio(s) Ratio (±3%)	1 <sup>st</sup> Core Terminals	2 <sup>nd</sup> Core Terminals	Schematic/ Package
PM-DB2798S	8	0.4 (10.16)	0.4 (10.16)	0.185 (4.699)	1:2.5 1:1.79	1-3:4-8 1-3:5-7	---	11/V
PM-DB27501S	8	0.4 (10.16)	0.4 (10.16)	0.145 (3.7)	1:2.65 1:2.07	1-3:4-8 1-3:4-6	---	17/AE
PM-DB27503S	8	0.4 (10.16)	0.4 (10.16)	0.145 (3.7)	1:2.5 1:1.79	1-3:4-8 1-3:4-6	---	17/AE

## Isolation Transformers – Through Hole

### Operating temperature -55°C to 130°C

#### Dual Core, Dual Ratio

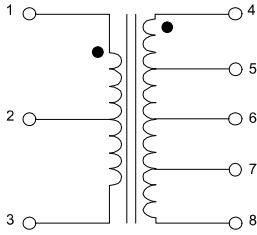
Part Number	Total Pins	Length inch. (mm)	Width inch. (mm)	Height inch. (mm)	Core(s) Ratio(s) Ratio (±3%)	1 <sup>st</sup> Core Terminals	2 <sup>nd</sup> Core Terminals	Schematic/ Package
PM-DB27408	18	0.625 (15.875)	0.625 (15.875)	0.25 (6.35)	1:2.5 1:1.79	1-3:4-8 1-3:5-7	11-13:14-18 11-13:15-17	7/H

#### Single Core, Dual Ratio

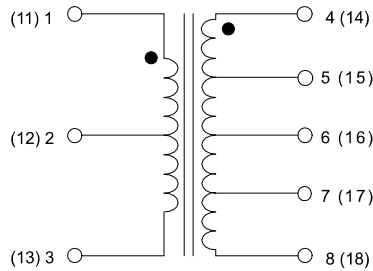
Part Number	Total Pins	Length inch. (mm)	Width inch. (mm)	Height inch. (mm)	Core(s) Ratio(s) Ratio (±3%)	1 <sup>st</sup> Core Terminals	2 <sup>nd</sup> Core Terminals	Schematic/ Package
PM-DB2725EX	8	0.4 (10.16)	0.4 (10.16)	0.26 (6.604)	1:2.5 1:1.79	1-3:4-8 1-3:5-7	---	1/G

**SCHEMATICS**

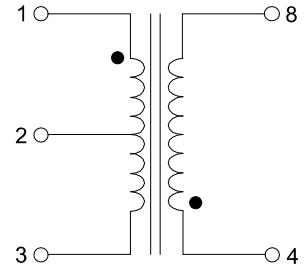
SCHEMATIC "1"



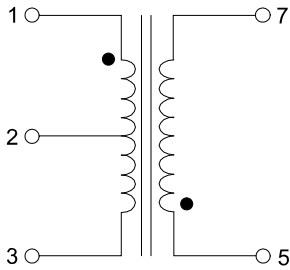
SCHEMATIC "7"



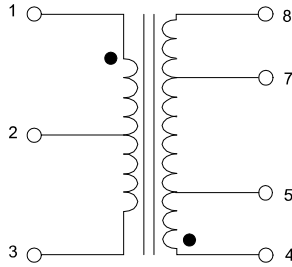
SCHEMATIC "9"



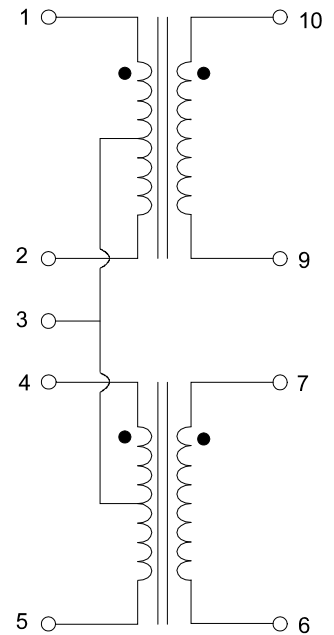
SCHEMATIC "10"



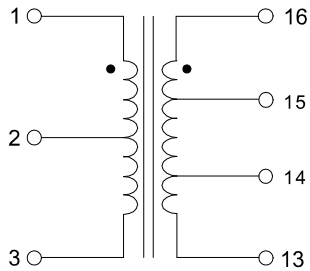
SCHEMATIC "11"



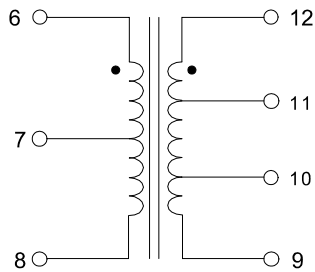
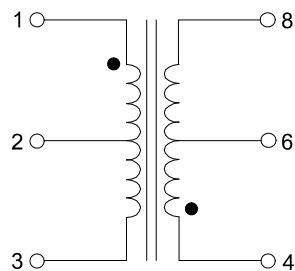
SCHEMATIC "12"



SCHEMATIC "15"



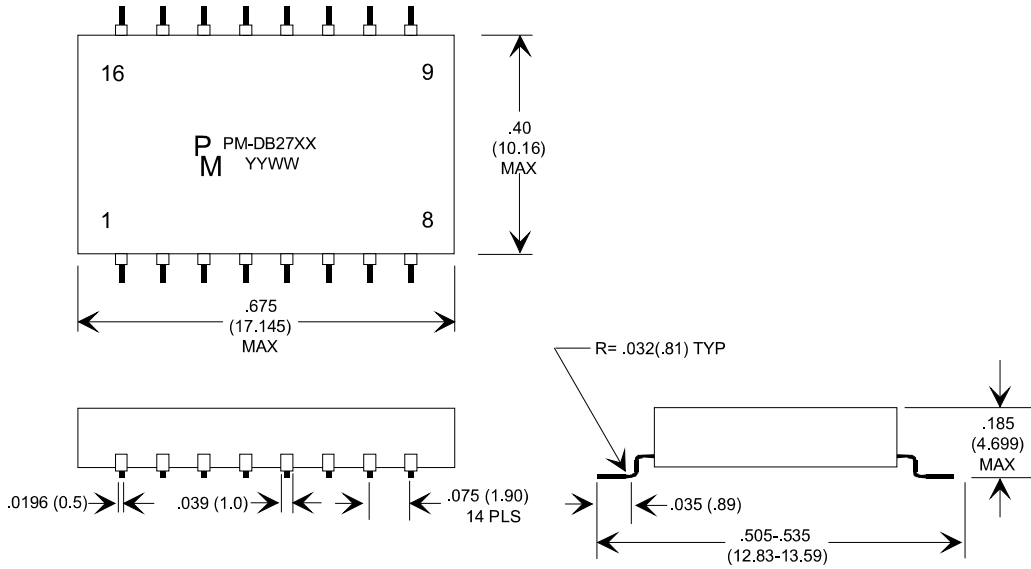
SCHEMATIC "17"



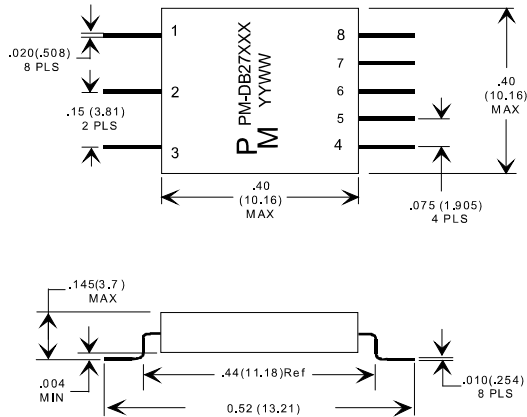
Specifications subject to change without notice.



**FIGURE #AC**



**FIGURE #AE**



Pin Size = 0.020 x 0.010 (0.508 x 0.254)

Specifications subject to change without notice.



## Cross Reference Listing

PREMIER PART#	X-REF NAME/PART# BETA
PM-DB2701	B-2202
PM-DB2702	B-2203
PM-DB2703	B-2204
PM-DB2704	B-2205
PM-DB2705	B-2206
PM-DB2706	B-2207
PM-DB2707	B-2208
PM-DB2708	B-2209
PM-DB2709	B-2210
PM-DB2710	B-2385
PM-DB2711	B-2386
PM-DB2712	B-2387
PM-DB2713	B-2388
PM-DB2714	B-2389
PM-DB2715	B-2390
PM-DB2716	B-2342
PM-DB2717	B-2343
PM-DB2718	B-2344
PM-DB2719	B-2345
PM-DB2720	B-2391
PM-DB2721	B-3221
PM-DB2722	B-3222
PM-DB2723	B-3223
PM-DB2724	B-3224
PM-DB2725	B-3225
PM-DB2725R	B-3067
PM-DB2726	B-3226
PM-DB2727	B-3227
PM-DB2728	B-3228
PM-DB2729	B-3229
PM-DB2730	B-3230
PM-DB2731	B-3231
PM-DB2775	DSS-3333
PM-DB2776	DSS-3305
PM-DB2777	DSS-3312
PM-DB2792S	MPL-2233
PM-DB2794S	MLP-2030

PREMIER PART#	X-REF NAME/PART# BETA
PM-DB2745L	LPB-5015
PM-DB2741L	LPB-5003
PM-DB2742L	LPB-5002
PM-DB2743L	LPB-5004
PM-DB2744L	LPB-5006
PM-DB2745M	LPB-5014
PM-DB2741M	LPB-5010
PM-DB2742M	LPB-5009
PM-DB2743M	LPB-5011
PM-DB2744M	LPB-5013
PM-DB2742D	TLP-1215
PM-DB2743D	TLP-1212
PM-DB2745D	TLP-1205
PM-DB2742S	TLP-1015
PM-DB2743S	TLP-1012
PM-DB2745S	TLP-1005
PM-DB2742T	TLP-1115
PM-DB2743T	TLP-1112
PM-DB2745T	TLP-1105
PM-DB2761	TSM-2033
PM-DB2762	TSM-2005
PM-DB2763	TSM-2012
PM-DB2764	TSM-2015
PM-DB2765	TSM-2233
PM-DB2771	TSM-2230
PM-DB2766	TSM-2205
PM-DB2767	TSM-2212
PM-DB2768	TSM-2215
PM-DB2745L	LPB-5015